



# DIX-2001

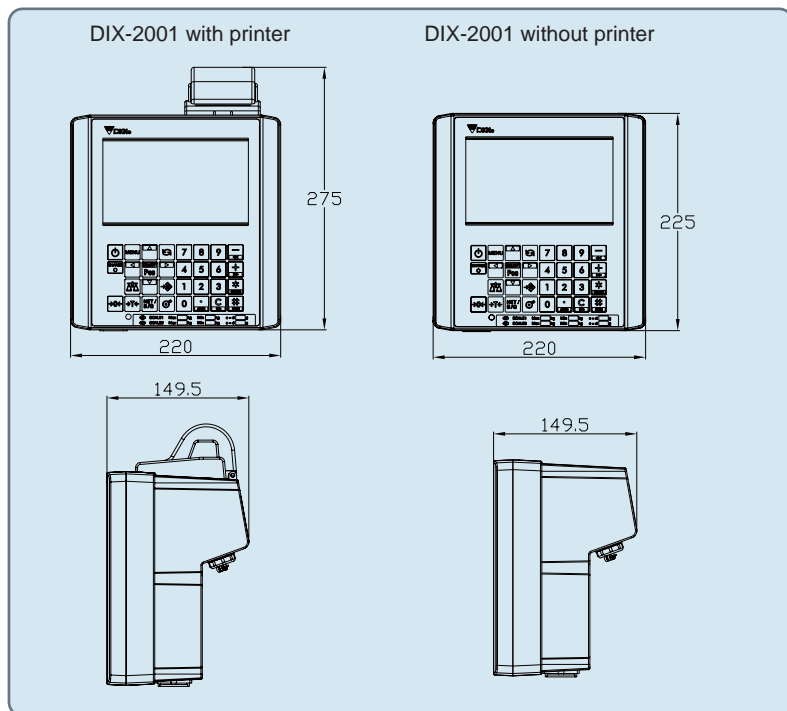
Digital Indicator



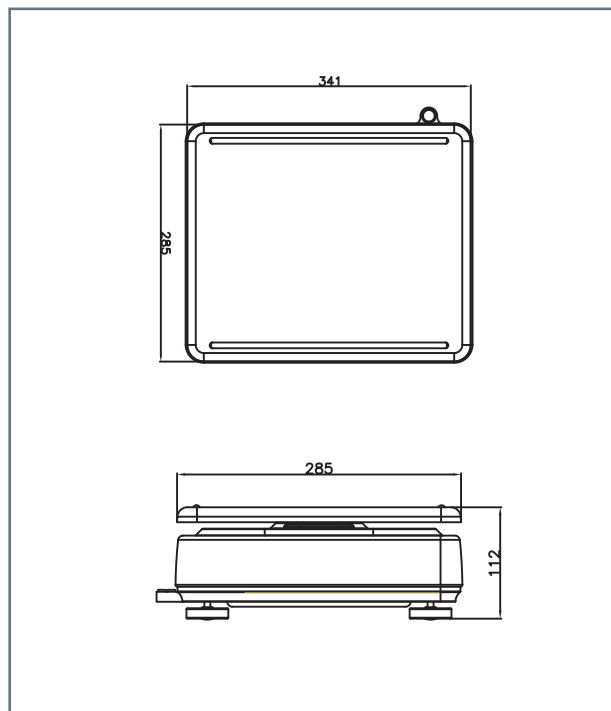
Platform: S-WQ

*Searching for  
a New Balance*

## Dimension(mm)



## Platform (S-WQ)



## Specification

### Basic Specification

256M memory  
4G SD card  
7 inches TFT LCD Panel with 800x480 pixel for Operator Display  
30Keys for Operation

Power Source :AC 88~264V, 50/60Hz

Operating Temperature:-10°C ~ 40°C

Operating Humidity:15~85%RH

Power consumption: 11W for standard version

13W for build-in Printer version

### Thermal Printer

Resolution:	8 dots/mm
Printing width:	48mm
Paper width:	58mm
Print speed:	Maximum 100mm/s
Life span:	100 million pulses, 50km or more

### Interfaces

- 2 x Load cell Connectors
- 1 x USB 2.0 Connector
- 1 x RJ45 LAN Connector
- 1 x Remote Port Connector ( digital input/output)
- 1 x Set-Point Connector
- 1 x RS-232 Connector

\* Specifications are subject to change without notice.

**SHANGHAI TERAOKA ELECTRONIC CO., LTD.**

TINGLIN INDUSTRY DEVELOPMENTAL ZONE,  
JINSHAN COUNTY, SHANGHAI 201505

TEL: +86-21-57234888

FAX: +86-21-57233049

<http://www.digi-scale.com>